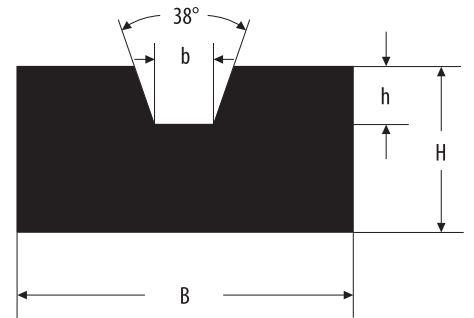


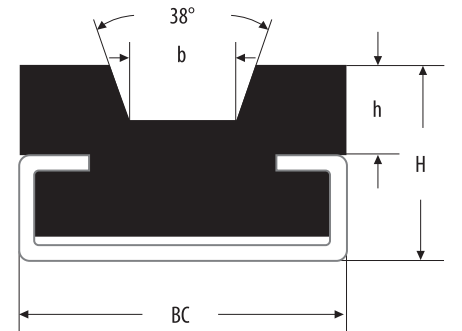
PROFILE - KR / KRC / RR / RRC CHAIN GUIDES FOR ROLLER CHAINS ROUND LINK CHAINS CABLE RUNNERS

Cable runner made of dehoplast[®] PE-55 black for V-belts according to DIN 2215. KRC and RRC suitable for stainless steel channel.

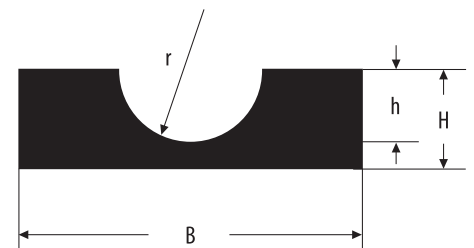
Ø Belt	Art. -No.	C-steel -No.	BC	B	H	HC	b	r	h	kg/m
PROFILE KR										
8	1451 KR 008*			20	10	-	6,0	-	3,5	0,165
10	1451 KR 010*			20	10	-	7,2	-	4,5	0,155
13	1451 KR 013*			20	12	-	9,2	-	6,0	0,162
17	1451 KR 017*			30	15	-	11,5	-	8,0	0,317
20	1451 KR 020*			30	20	-	13,5	-	9,0	0,424
22	1451 KR 022*			35	20	-	14,5	-	10,5	0,47
25	1451 KR 025			40	25	-	16,5	-	12,0	0,701
32	1451 KR 032			50	30	-	21,0	-	16,0	1,008
40	1451 KR 040			60	35	-	26,0	-	21,0	1,395



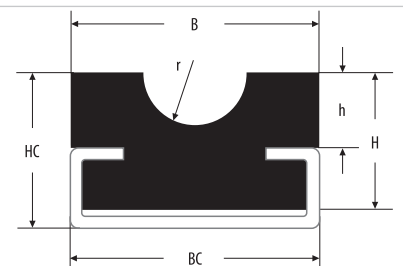
PROFILE KRC										
8	1451 KRC 0802*	C 02	20	20	10	15	6,0	-	3,5	0,135
10	1451 KRC 1002*	C 02	20	20	15	18	7,2	-	4,5	0,210
13	1451 KRC 1303*	C 03	28	25	18	22	9,2	-	6,0	0,324
17	1451 KRC 1703*	C 03	28	30	18	24	11,5	-	9,0	0,317
20	1451 KRC 2003*	C 03	28	30	18	24	13,5	-	9,0	0,292
22	1451 KRC 2205*	C 05	38	35	25	30	14,5	-	10,5	0,611
25	1451 KRC 2505*	C 05	38	40	25	32	16,5	-	12,0	0,611
32	1451 KRC 3210	C 10	60	60	35	40	21,0	-	16,0	1,495
40	1451 KRC 4010	C 10	60	60	35	40	26,0	-	21,0	1,200



PROFILE RR										
5,0	1451 RR 05*			20	10	-	-	3	3	0,172
6,3	1451 RR 06*			20	10	-	-	4	4	0,165
8,0	1451 RR 08*			20	12	-	-	5	5	0,187
9,5	1451 RR 10*			25	15	-	-	6	6	0,297
12,5	1451 RR 12*			30	20	-	-	7	8	0,482
15,0	1451 RR 15*			35	25	-	-	9	10	0,704
18,0	1451 RR 018*			40	25	-	-	10	12	0,786



PROFILE RRC										
5,0	1451 RRC 0502*	C 02	20	20	10	15	-	3	3	0,145
6,3	1451 RRC 0602*	C 02	20	20	15	18	-	4	4	0,222
8,0	1451 RRC 0802*	C 02	20	20	15	18	-	5	5	0,145
9,5	1451 RRC 1003*	C 03	28	25	15	20	-	6	6	0,259
12,5	1451 RRC 1203*	C 03	28	28	15	20	-	7	8	0,264
15,0	1451 RRC 1505*	C 05	38	33	20	25	-	9	10	0,469
18,0	1451 RRC 1805*	C 05	38	38	20	25	-	10	12	0,452



* can be delivered from stock